

DATA SHEET

# U 5.201 O2-PACK

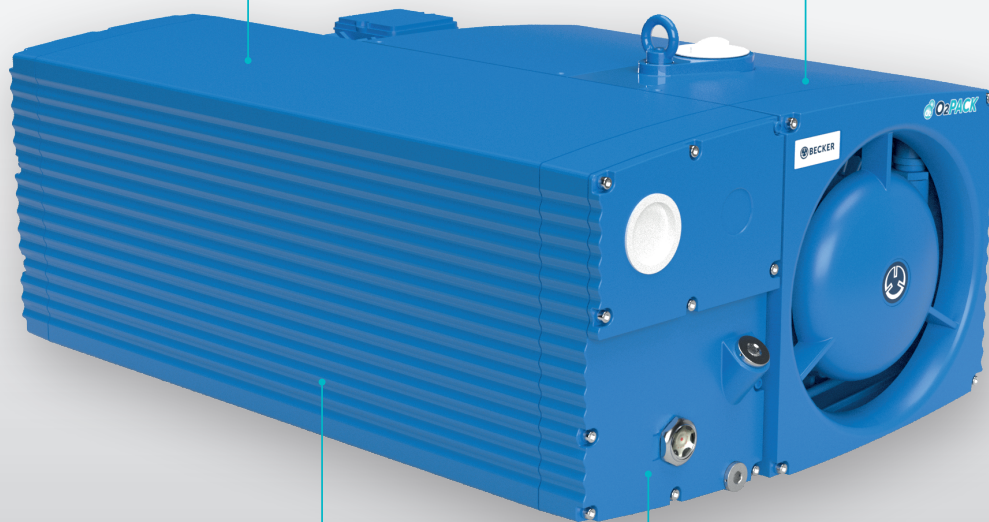
## ROTARY VANE VACUUM PUMPS

oil-lubricated and air-cooled  
for MAP applications with  $O_2 > 20.9\%$

**MAKE IT BECKER.**

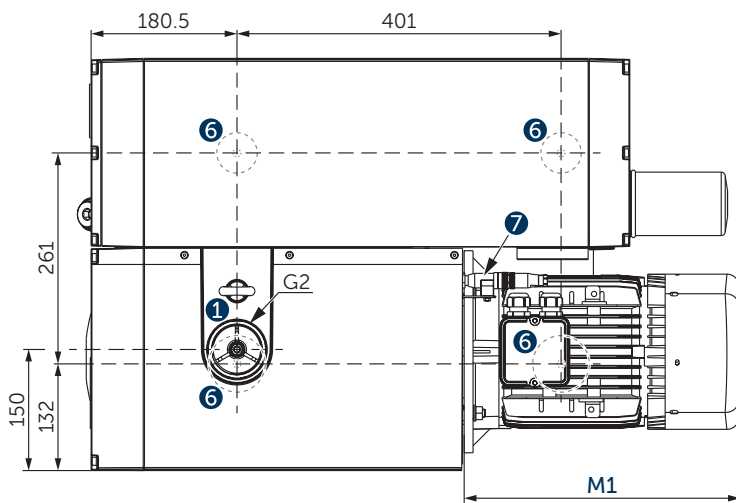
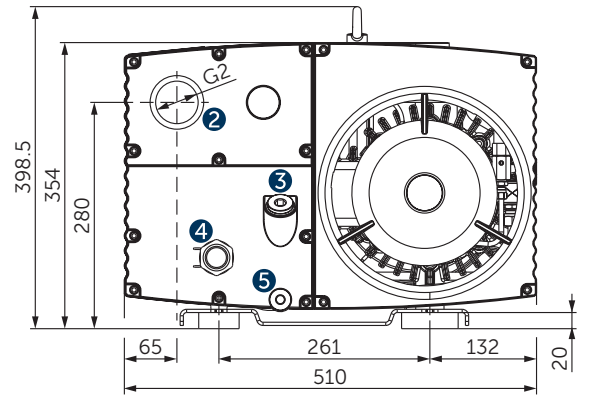
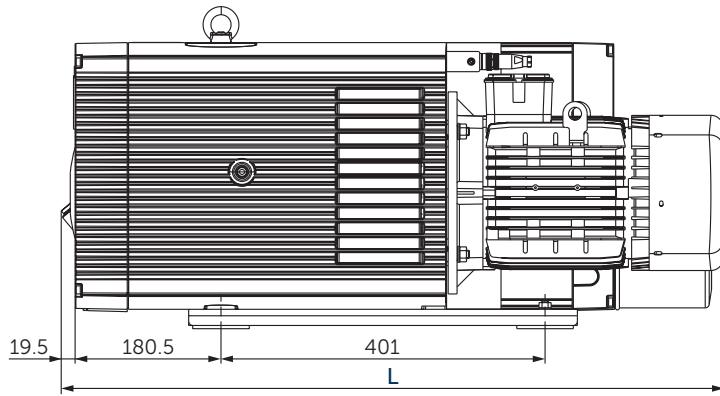
**SMOOTH SURFACES**  
for quick, easy and  
hygienic cleaning

**FASTEST  
PUMP-DOWN TIME**



**HIGH WATER VAPOR  
TOLERANCE**

**ENLARGED OIL TANK**



- 1 Vacuum connection (G2)
  - 2 Exhaust air connection (G2)
  - 3 Oil filler cap (G<sup>3</sup>/<sub>4</sub>)
  - 4 Oil sight glass (G1)
  - 5 Screw plug for oil drain (G<sup>1</sup>/<sub>2</sub>)
  - 6 Rubber buffer position
- L Overall device length **L1** with motor. **L1** and **M1** are variable, see separate motor specification sheet.
- Including gas ballast valve, non-return valve, oil separator and oil filter
  - The motor illustration may vary
  - Dimensions in mm

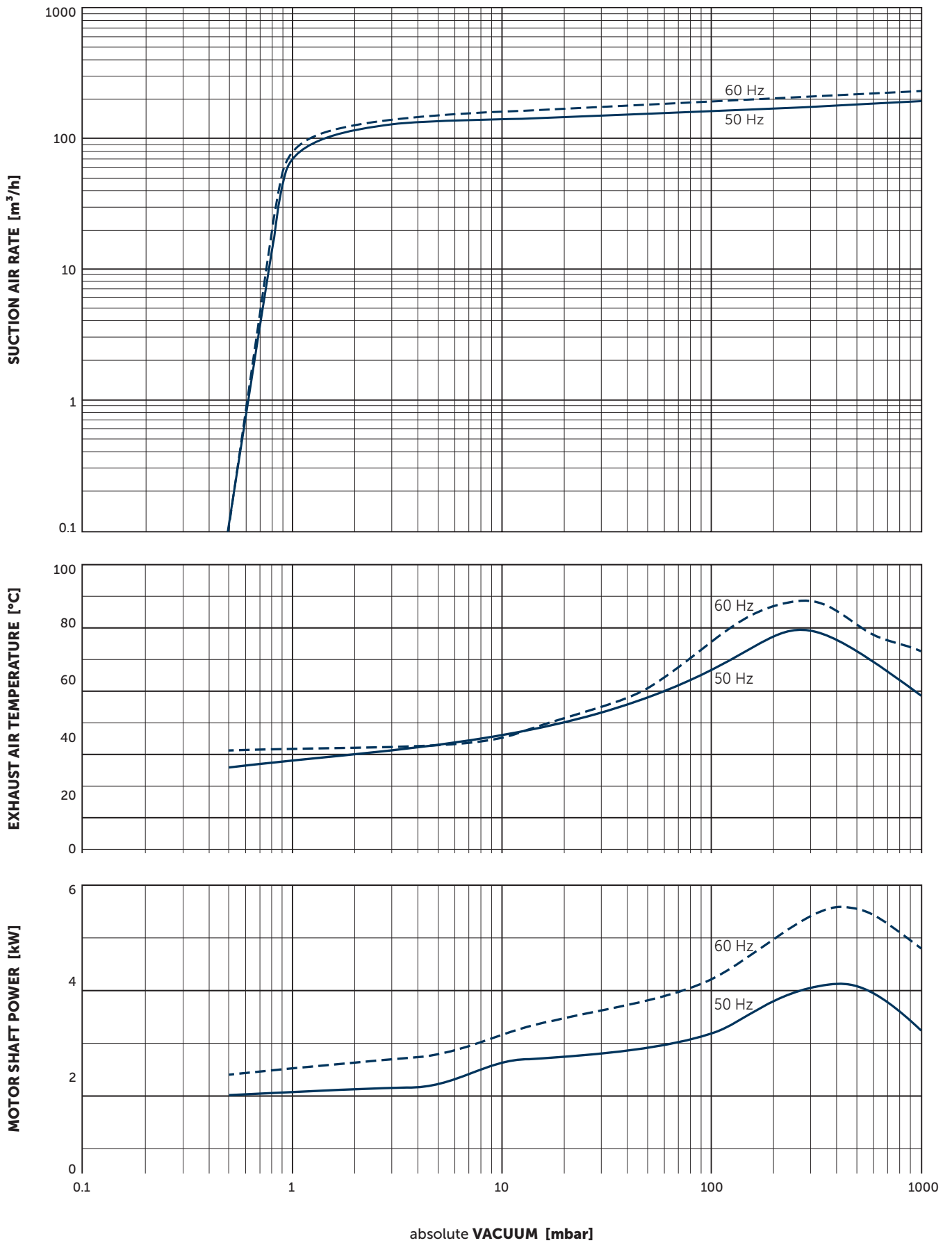
Nominal capacity		Vacuum absolute for continuous operation		Installed motor power		Emission sound pressure level <sup>1)</sup>		Weight incl. motor	Oil <sup>2)</sup>
m <sup>3</sup> /h		mbar		kW		dB(A)		kg	l
50 Hz	60 Hz	50 Hz	60 Hz	50 Hz	60 Hz	50 Hz	60 Hz		
200	240	<0.5–100	<0.5–100	4.0	4.8	72	74	≈143	5 (≈9.5 kg)

<sup>1)</sup> According to DIN EN ISO 11203, accuracy class of measurement: class 2, extended measurement uncertainty: 3 dB  
1 m distance, at medium load, both connection sides piped

<sup>2)</sup> See operating instructions

▪ Reference data (atmosphere): 1000 mbar, 20°C; Tolerance: ±10%

▪ Gas ballast valve: water vapour tolerance max. 7 mbar; water vapour capacity max. 0.3 l/h (at 85°C operating temperature)



Suction air rate refers to the intake pressure  
 Reference data (atmosphere): 1000 mbar, 20°C  
 Tolerance: ±10%

**MAKE IT BECKER.**

HOMEPAGE  
U 5. O2-PACK



DOWNLOAD  
MOTOR SPECS.



ONLINE SHOP

